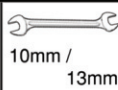
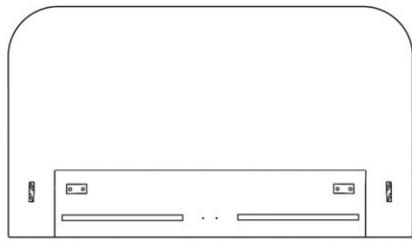
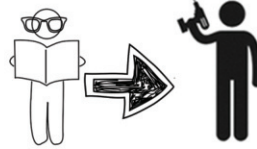
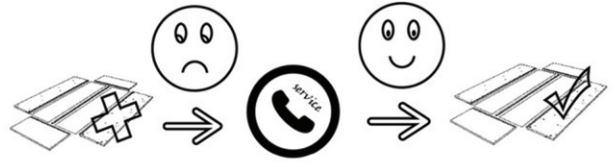
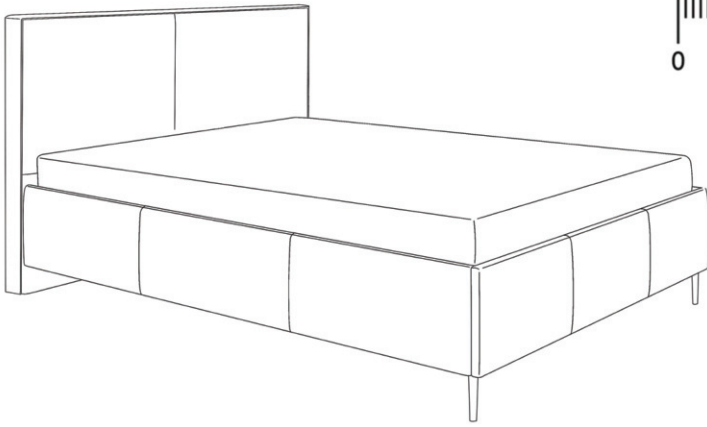


HATTON

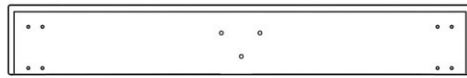
90min



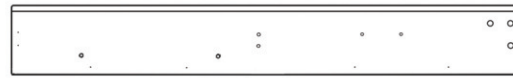
BED WITH STORAGE



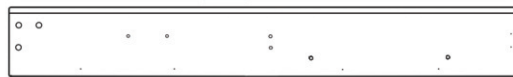
A x 1



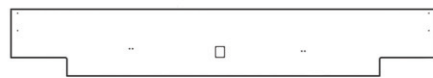
B x 1



C1 x 1



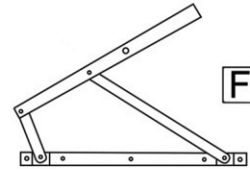
C2 x 1



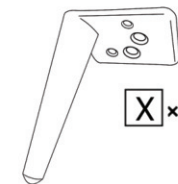
G x 1



I x 1



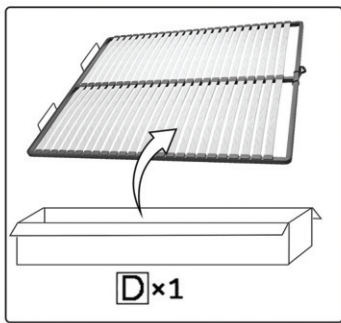
F x 2 (L/R)



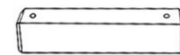
X x 2



Z2 x 2



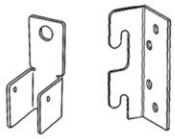
D x 1



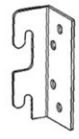
H x 3



J x 3



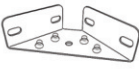
K x 1



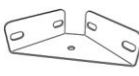
W x 2



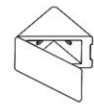
L x 2



M x 2



N x 2



O x 14

M8x20



P x 7



R x 32



S x 1

ø8x20

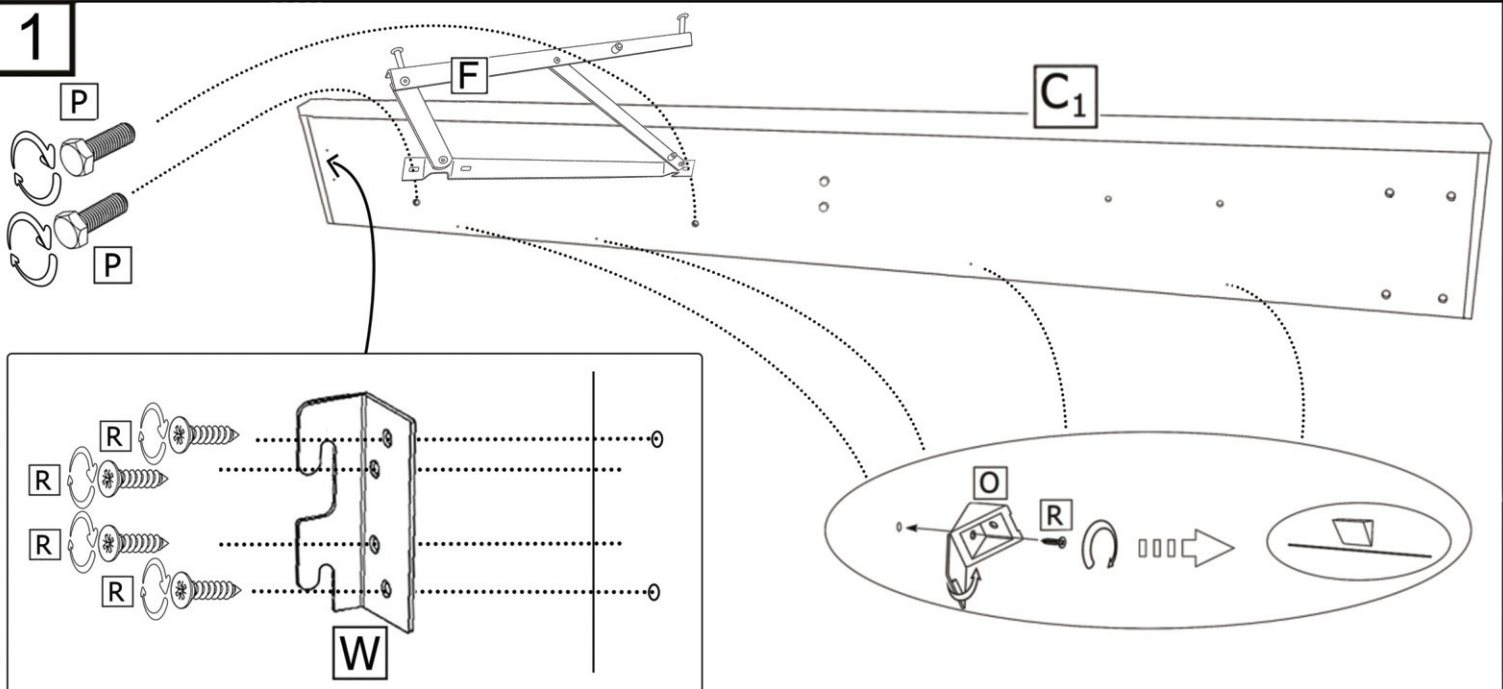


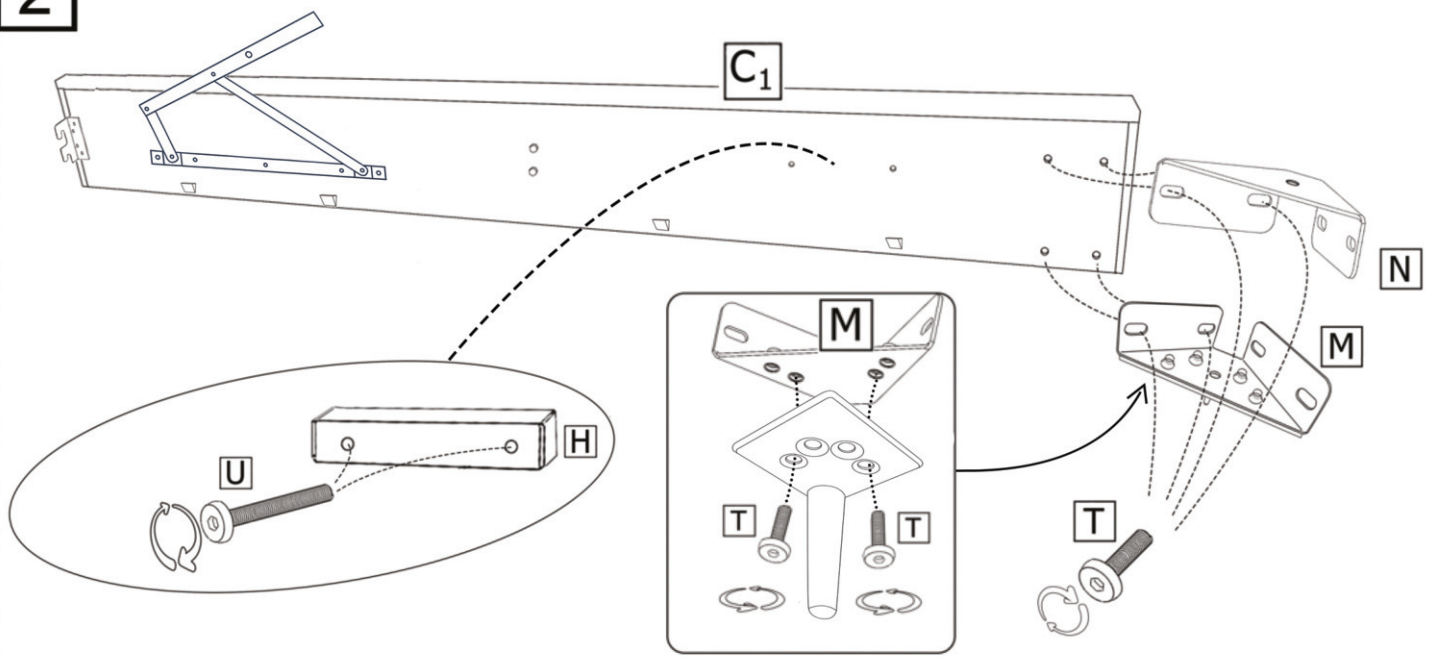
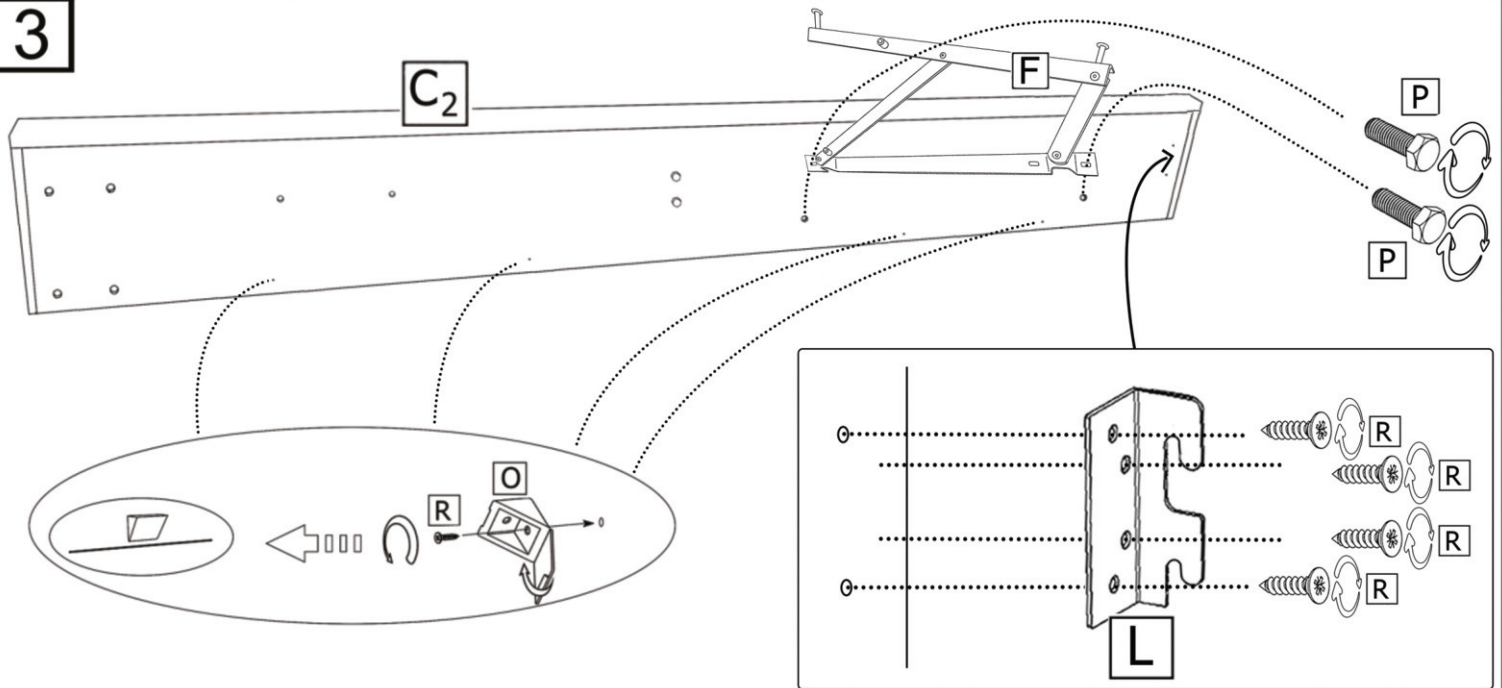
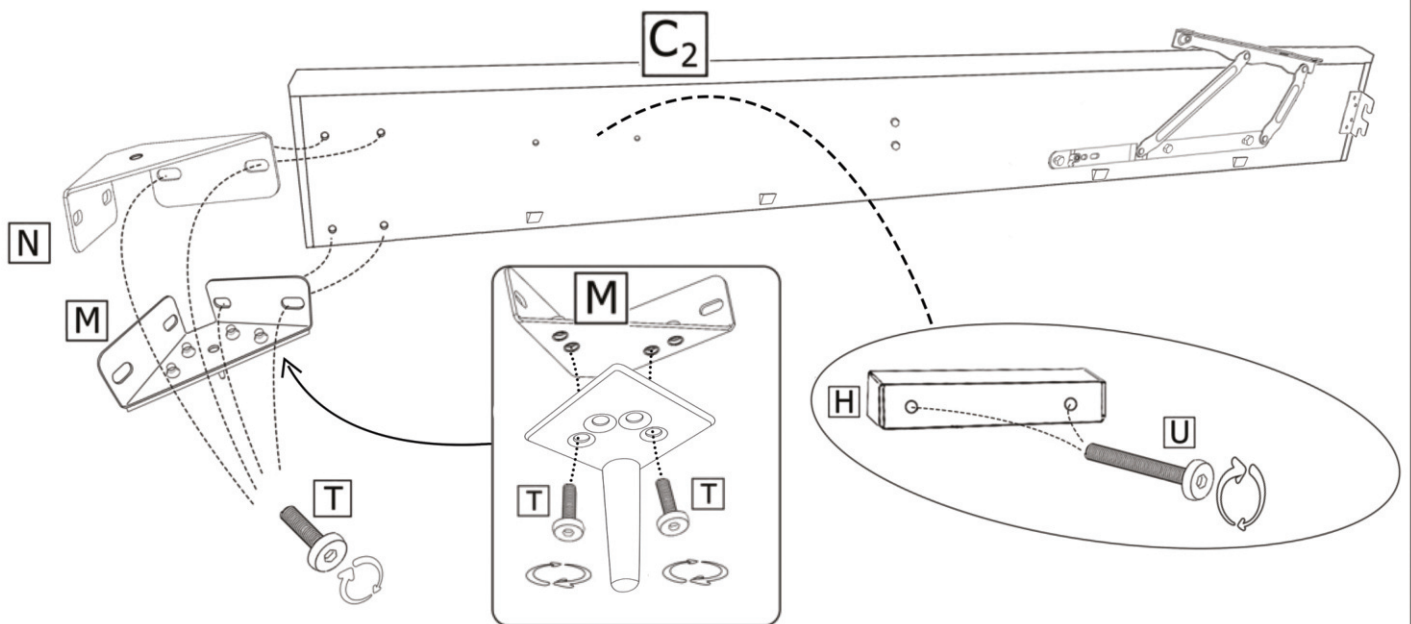
T x 20



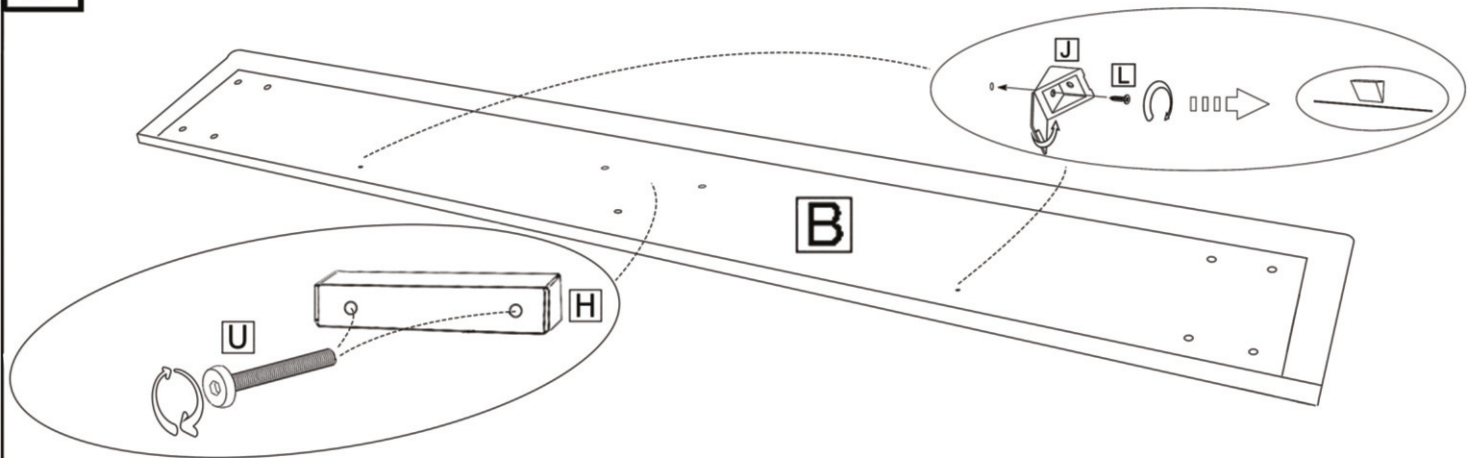
U x 6

1

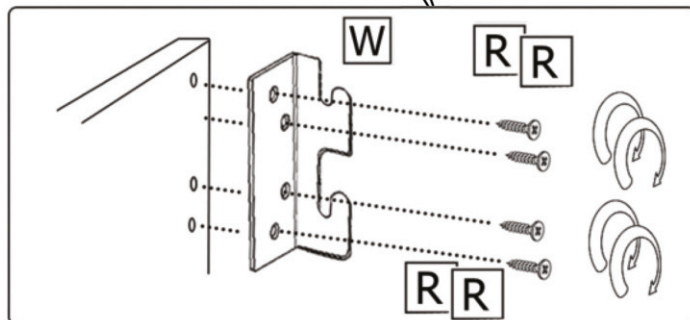
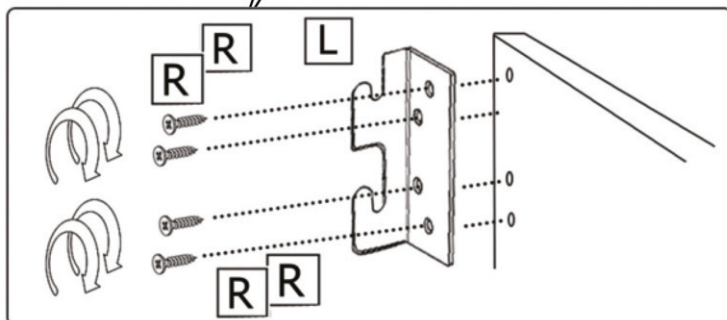
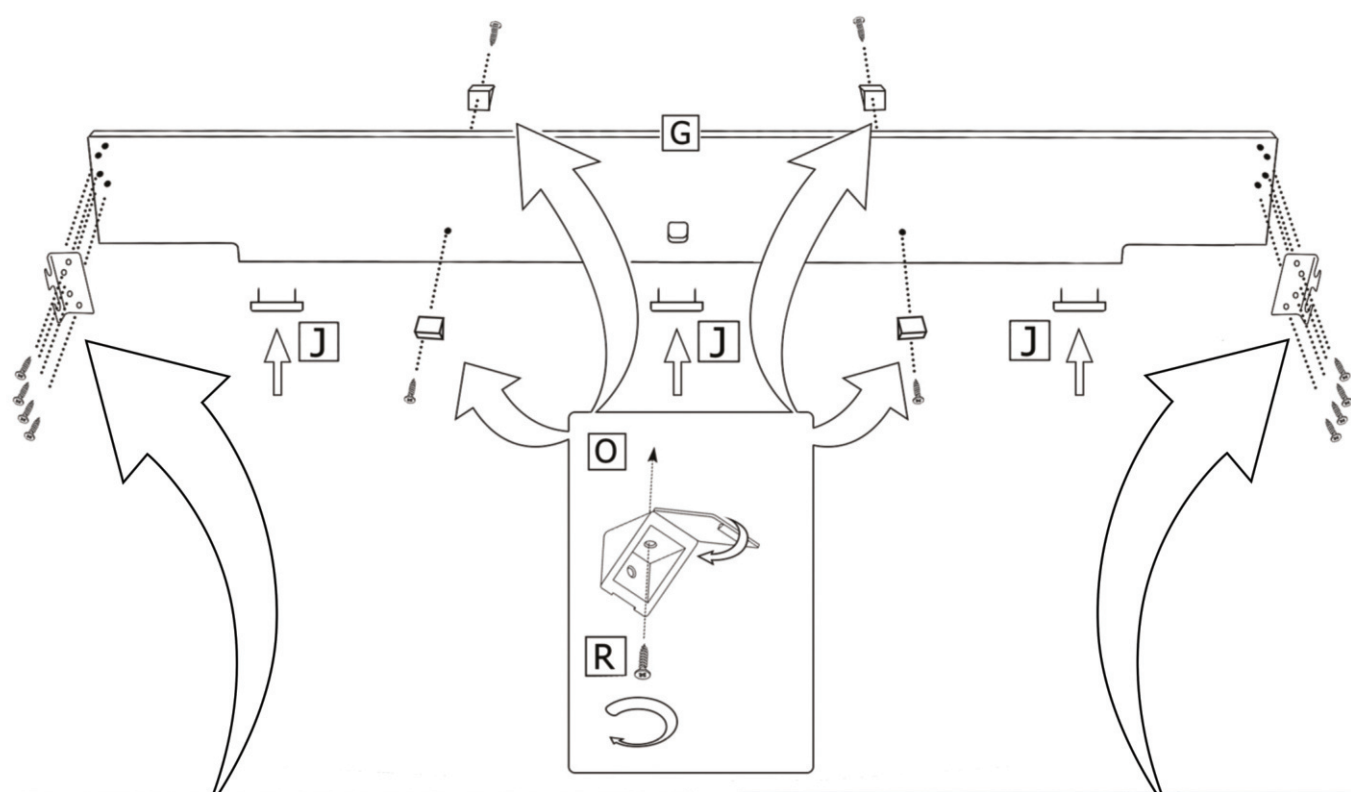


2**3****4**

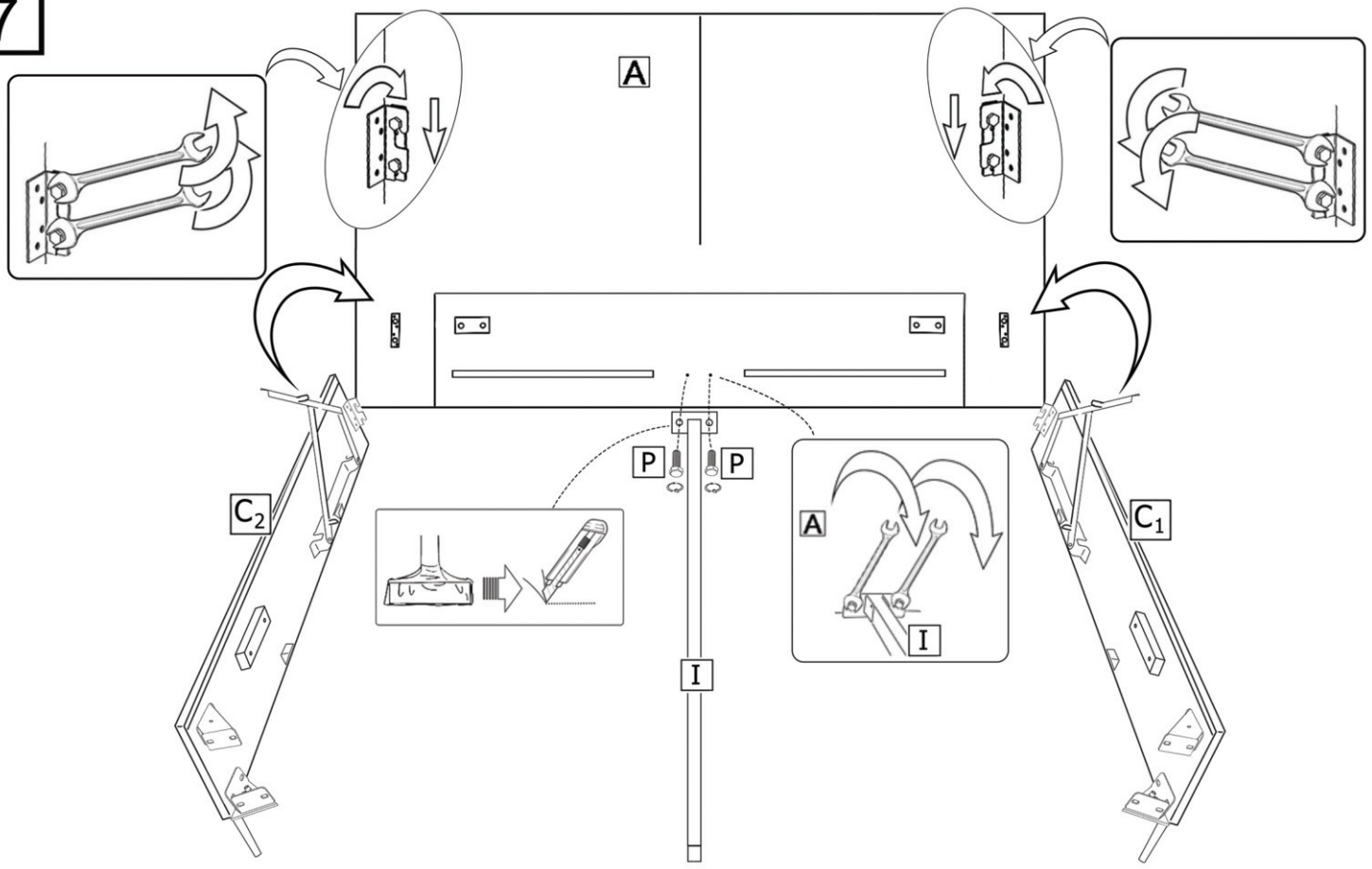
5



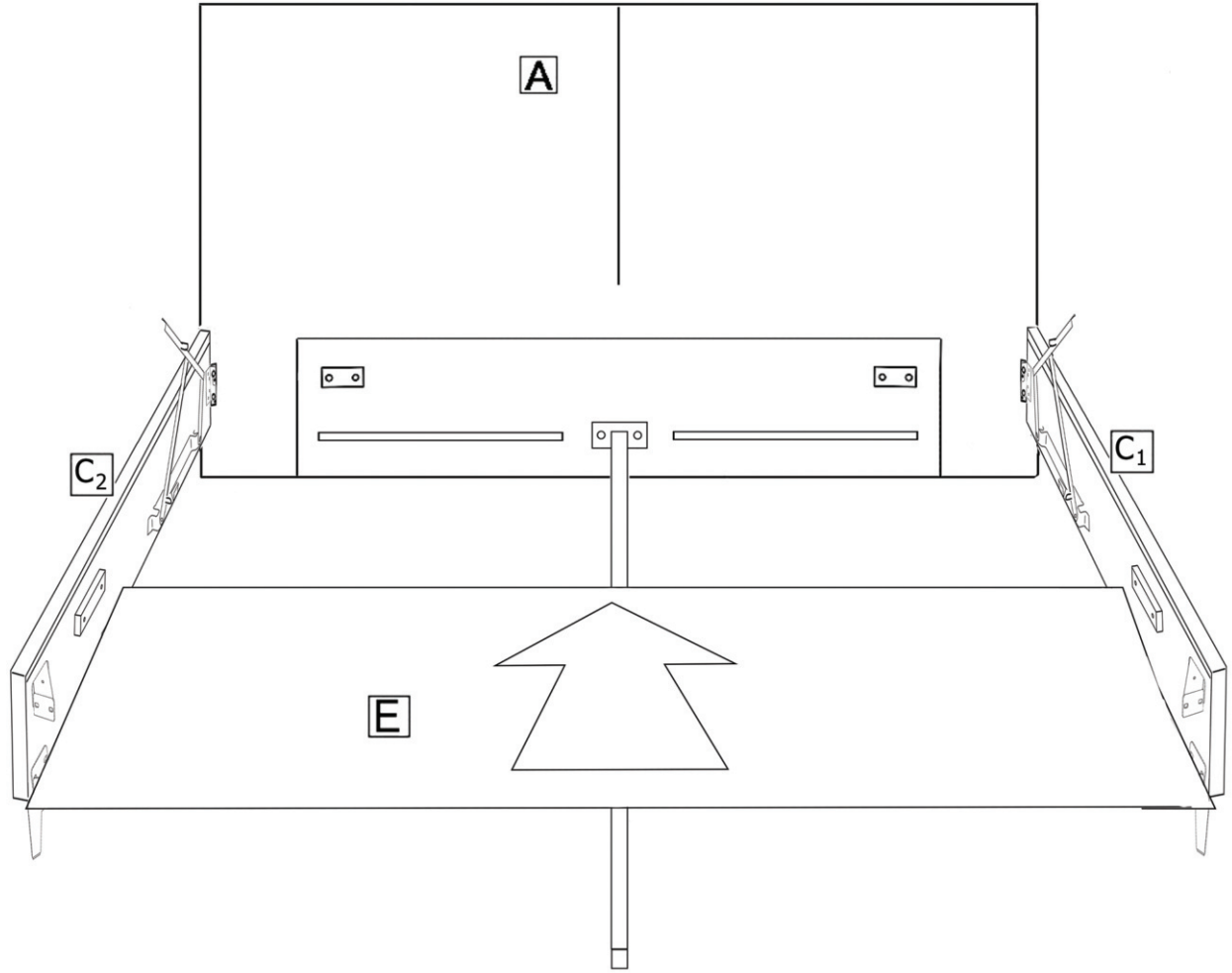
6



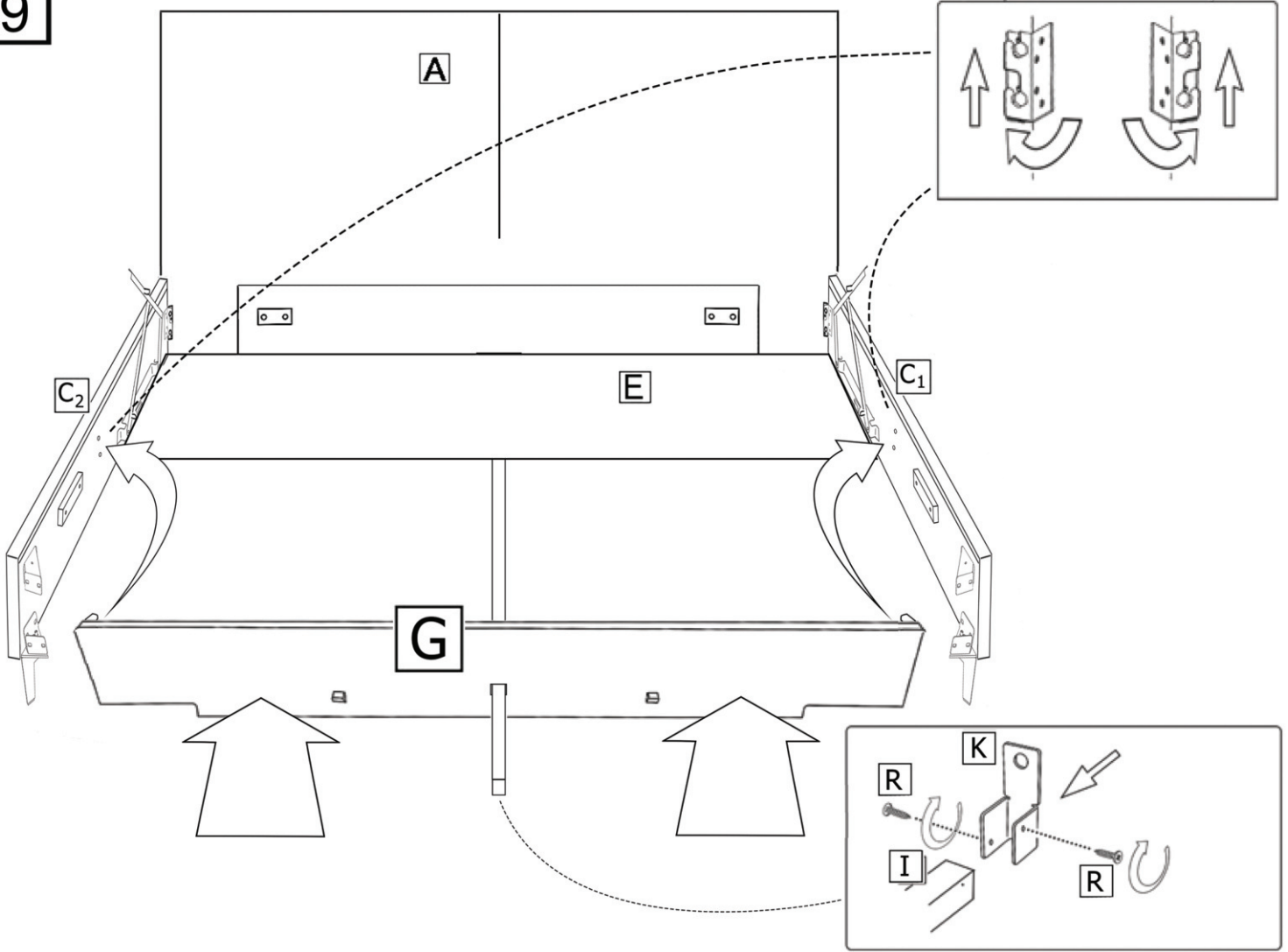
7



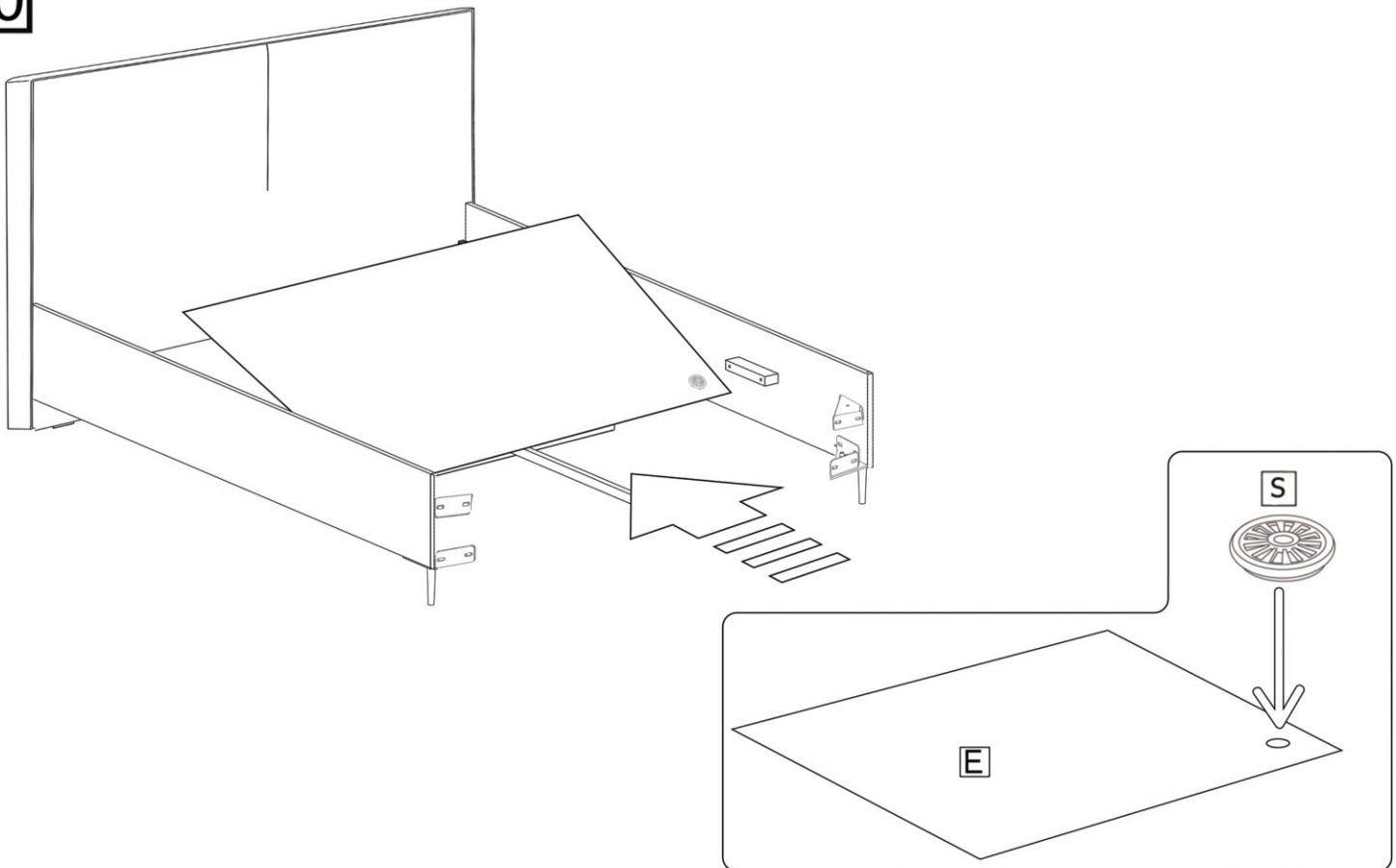
8



9



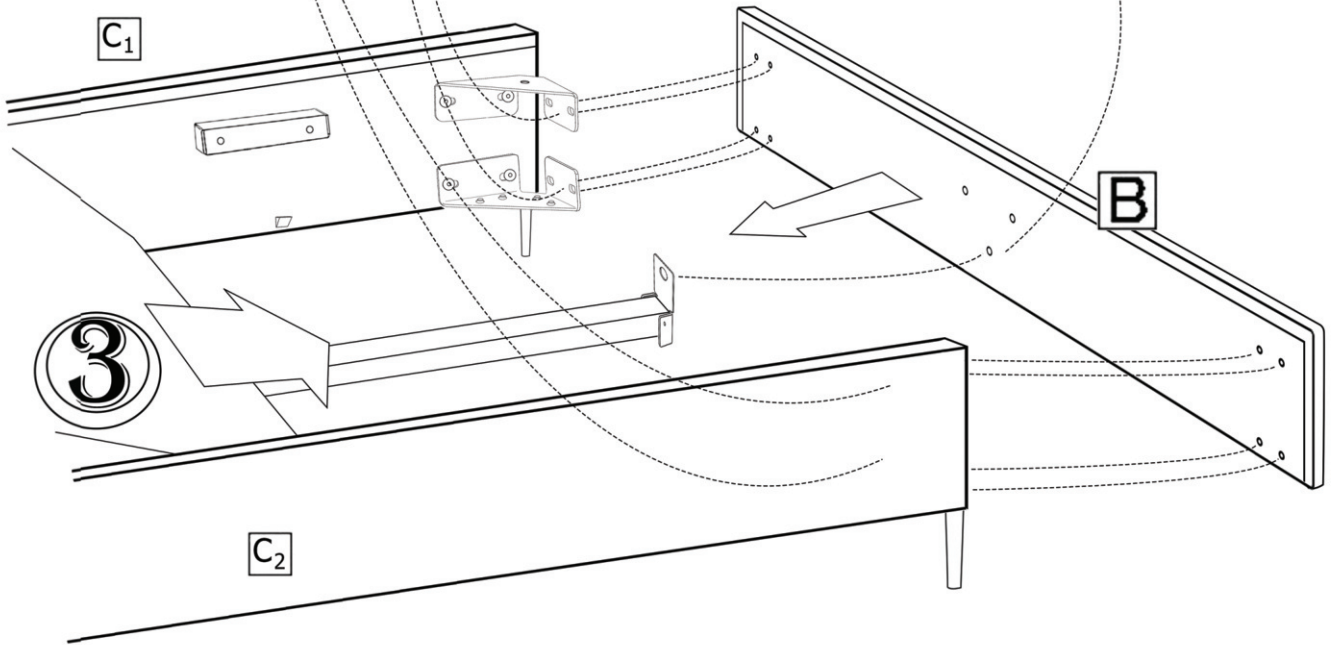
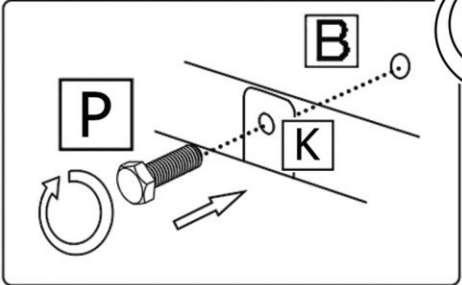
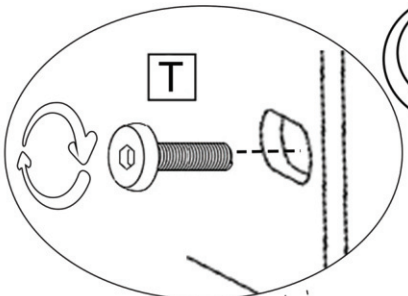
10



11

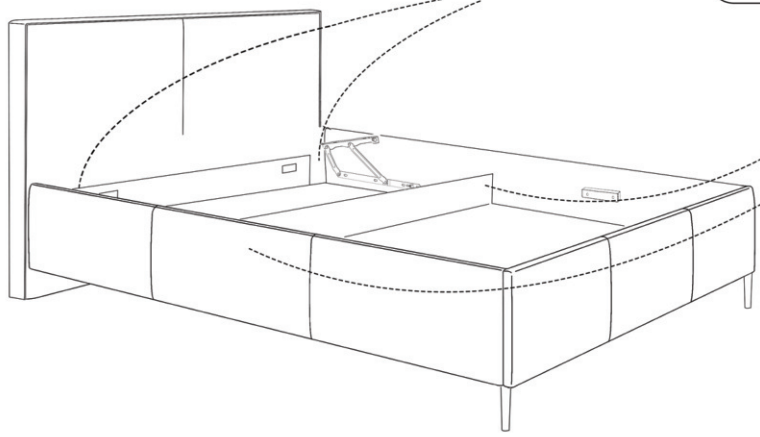
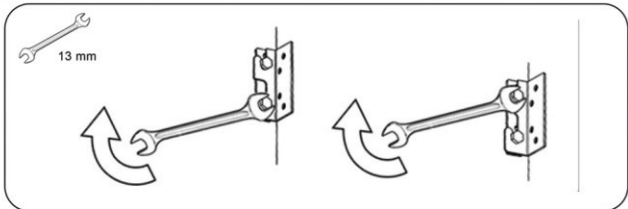
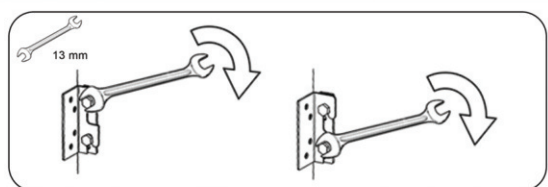
1

2



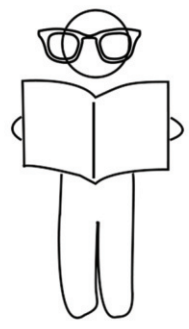
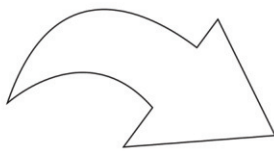
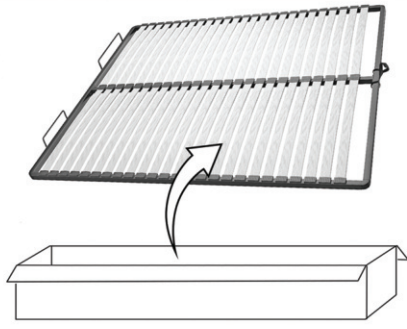
3

12

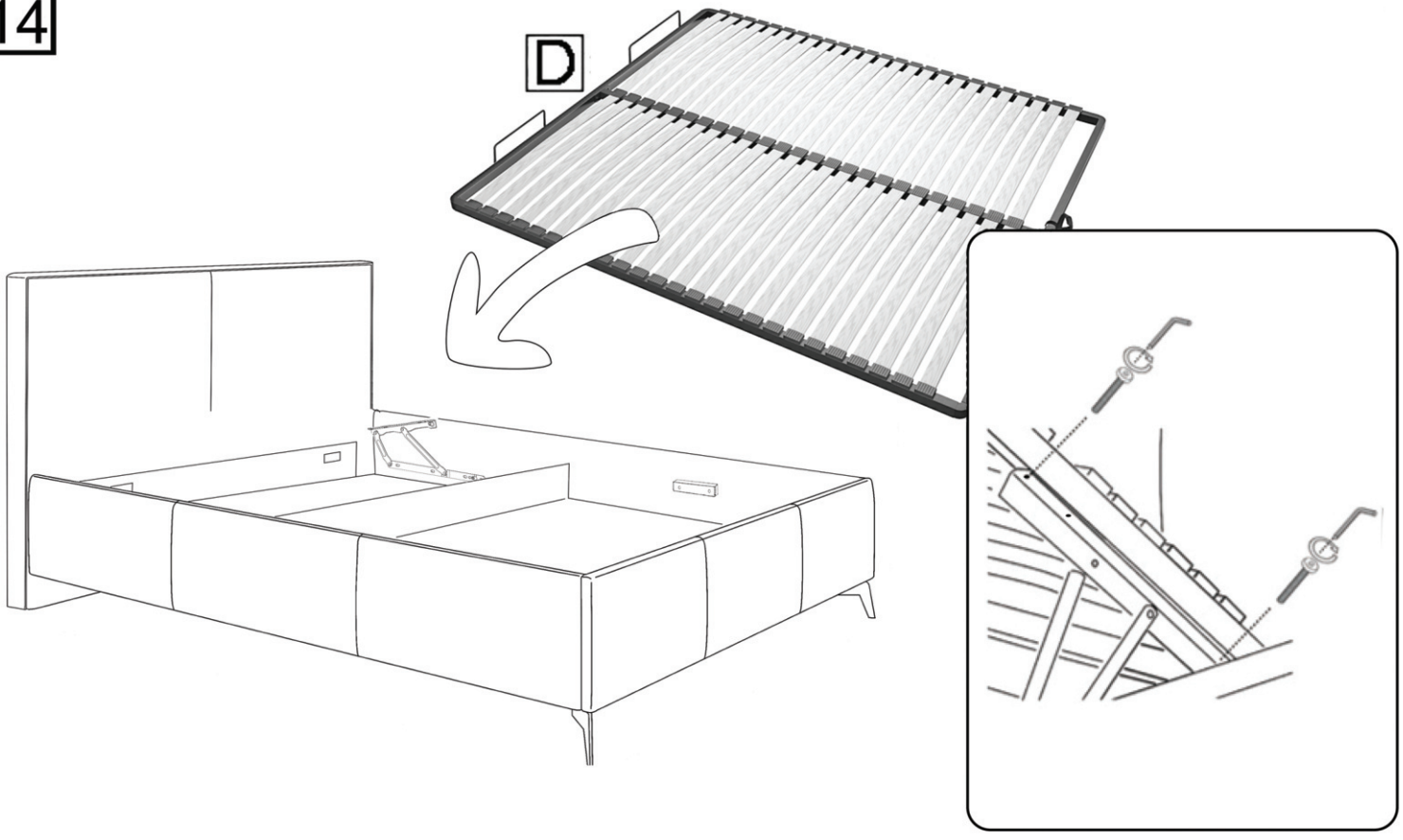


13

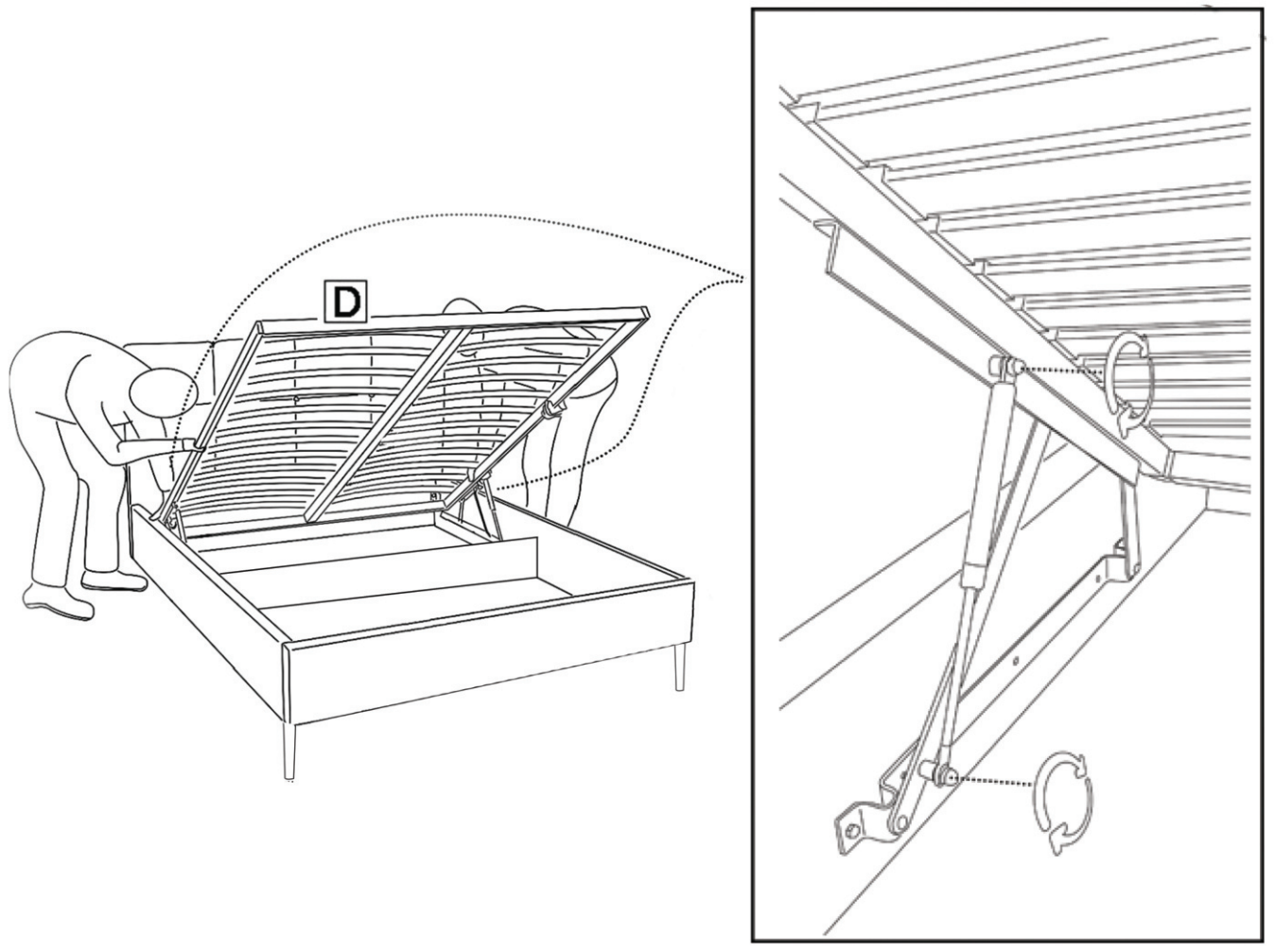
D



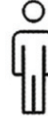
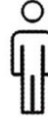
14



15





 +  = max 200kg

